

Quick Start Installation Guide Compact Digital Torque Transducers Electrical Connections

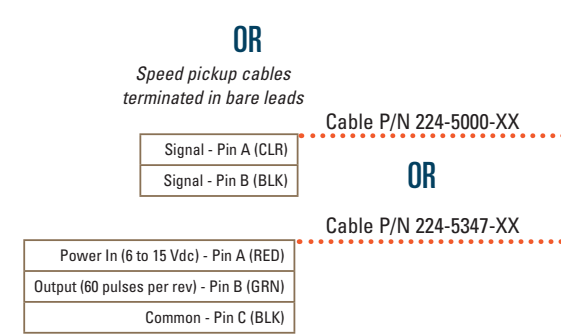
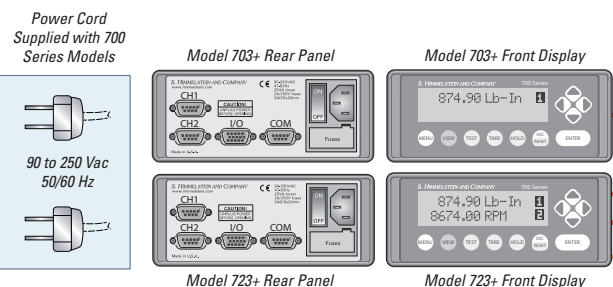
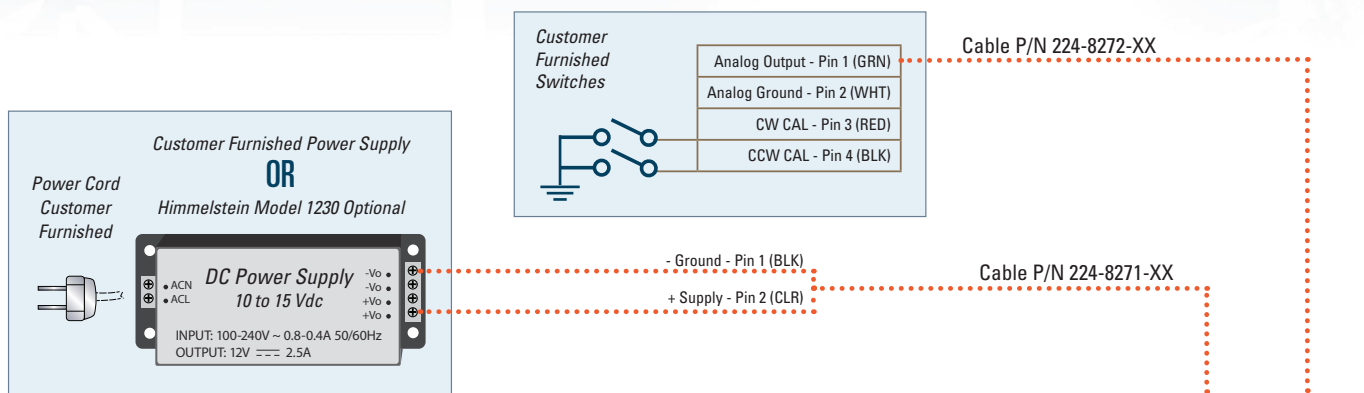
For Complete Installation Guide download from:



https://www.himmelstein.com/PDF_Files/CDTMMManual.pdf

Applicable Models

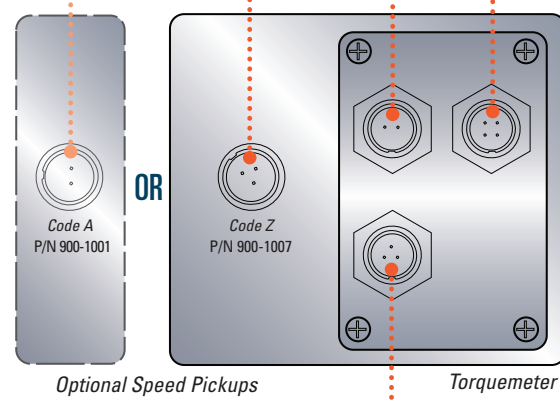
- MCRT® 48201V Series
- MCRT® 48202V Series
- MCRT® 48203V Series
- MCRT® 48204V Series



Speed Pickup Mating Connectors

Code A (2-pin)
P/N 224-3897
(MS3106A-10SL-4S)

Code Z (3 pin)
P/N 224-5361
(MS3106A-10SL-3S)



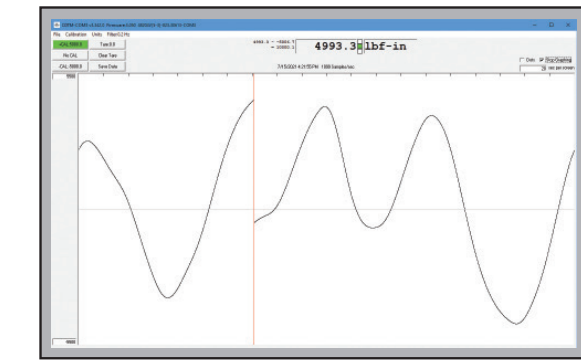
Mating Connectors

Power Supply In (2-pin)
P/N 320-1285
(CONXALL: 6282-2SG-3DC)

Torque Signal Analog Out (4 pin)
P/N 320-1287
(CONXALL: 6282-4SG-3DC)

RS232 Com Port (3 pin)
P/N 320-1286
(CONXALL: 6282-3SG-3DC)

Optional USB to RS232 Adapter, P/N 330-0002



- Notes:**
- Mating connectors supplied for all connections for which a cable was not provided.
 - External DC power supply (10 to 15 Vdc), required for operation.
 - The Optional Model 703+ or Model 723+ will provide necessary dc power for the torquemeter.
 - Substitute cable length for "XX" suffix in cable part numbers. Standard available cable lengths are 20, 50 and 100 feet.
 - Torque signal analog output can be set to ± 5 or ± 10 Vdc.
 - Speed signal output is 60 pulses per revolution.
 - RS232 serial cable is provided. All other cables and/or additional connectors are available for purchase separately.

DT482 Software Download from:



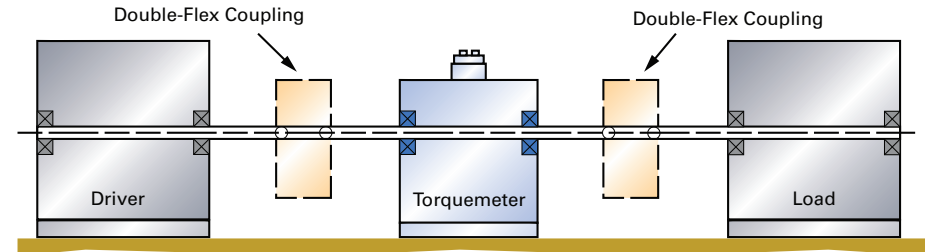
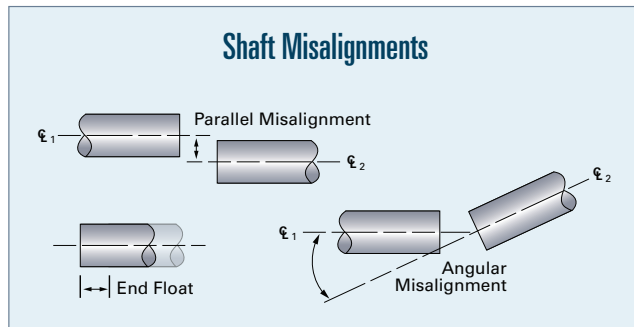
<https://www.himmelstein.com/Downloads/DT482.exe>

Quick Start Installation Guide for Compact Digital Torque Transducers Mechanical Mounting

Applicable Models

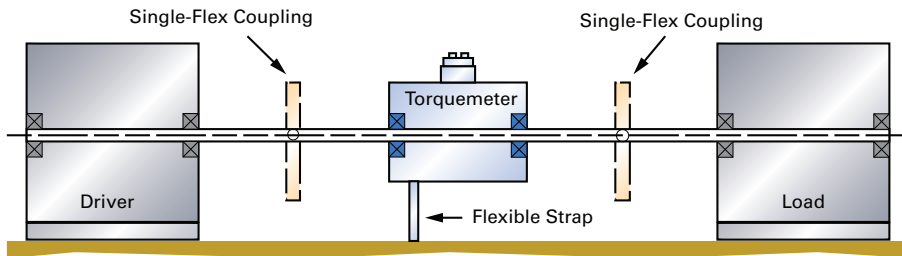
MCRT® 48201V Series MCRT® 48203V Series
MCRT® 48202V Series MCRT® 48204V Series

Please select appropriate style of shaft couplings for your desired installation. Couplings are required to accommodate inevitable parallel and/or angular shaft end misalignments. Double flex couplings handle both angular and parallel misalignments, single flex couplings only angular.



FOOT (or Base) MOUNTED TRANSDUCER (above)

If using a foot mounted transducer or base mounting installation, double-flex style couplings will be required at each shaft end to compensate for both parallel and angular shaft misalignments. Foot mounted installations are more desirable for higher speed applications. They are more susceptible to extraneous thrust or axial loading, however. This type of mounting is not available for flanged end style transducers.

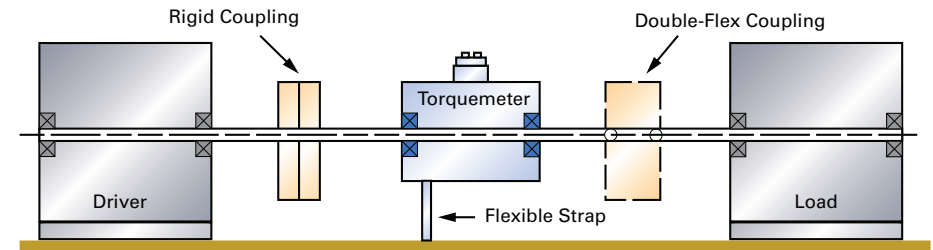


FLOATING TRANSDUCER with SINGLE-FLEX COUPLINGS (left)

In the case of a floating installation, single-flex couplings should be used on both sides to accommodate angular misalignments only. A flexible strap will restrain the housing from rotating. Strap should not impose any additional extraneous loading to the transducer housing—it is simply required to prevent putting stress on the interconnect signal cabling. A wire rope or lanyard would be example of suitable flexible strap.

FLOATING TRANSDUCER with RIGID and DOUBLE-FLEX COUPLINGS (right)

An alternative, acceptable floating installation, would be rigid coupling on one side and a double-flex coupling on the opposite side. This installation requires more care to control the axial and radial runout at the double-flex coupling side to minimize potential for vibration.



Notes:

1. Coupling hubs should be a press fit on the transducer shaft—we recommend 0.0005 inches per inch of shaft diameter.
2. Hubs should be heated to 400 deg F to facilitate installation.
3. Apply anti-seize compound to the shaft prior to sliding on the coupling hubs.



S. HIMMELSTEIN
& COMPANY

2490 Pembroke Avenue, Hoffman Estates, IL 60169 • 847-843-3300

For Complete
Installation Guide
download from:



[https://www.himmelstein.com/
PDF_Files/CDTMMManual.pdf](https://www.himmelstein.com/PDF_Files/CDTMMManual.pdf)