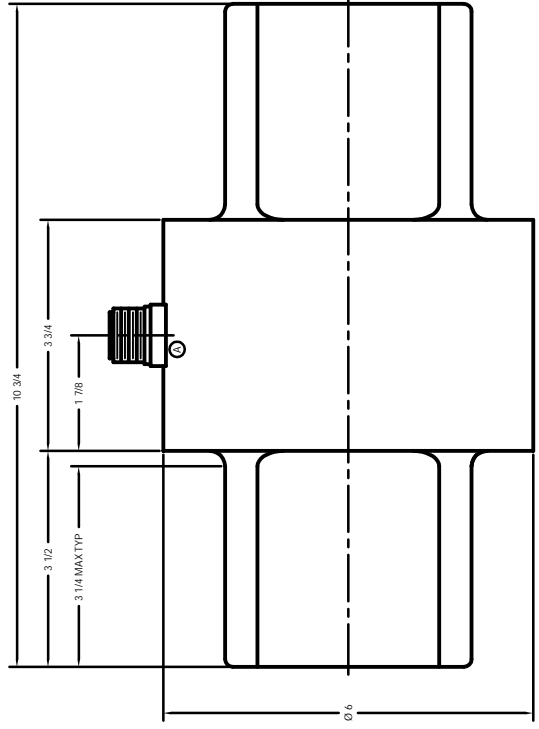
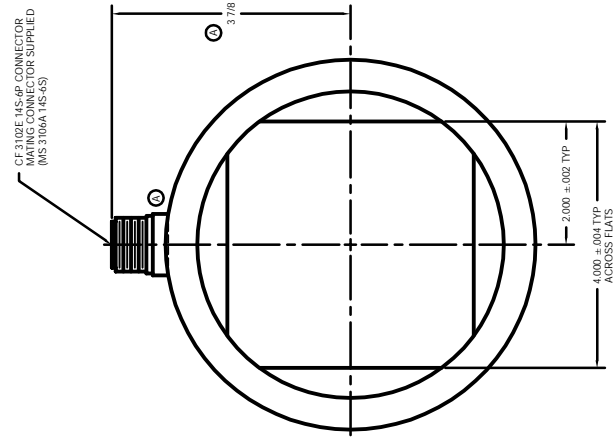


INFORMATION CONTAINED HEREIN IS CONSIDERED PROPRIETARY TO S. HIMMELSTEIN & CO. AND IS TO BE USED ONLY FOR THE USE IN CONNECTION WITH THE PARTS TO WHICH IT APPLIES. OPERATIONAL INFORMATION IS NOT TO BE DISCLOSED TO ANY OTHER PARTY WITHOUT THE EXPRESS WRITTEN CONSENT OF S. HIMMELSTEIN & CO. COMPANY.

REVISIONS			
SYM	DESCRIPTION	DATE	APPR
A	3/78 WAS 3 BR. ADDED CONNECTOR SPACER. NO ECRN.	04/28/2006	AJ/CBS



PLOTTED: 04/26/2006 @ 07:32 ENG REF ONLY: 48246.DWG_GBD271

DEBURY & BIRK SHARP EDGES DIMENSIONS ARE IN INCHES		CURRENT DATE OF DRAWING	
TOLERANCES	DIMENSIONS	DATE	BY
FRACTIONS	DECIMALS	09/17/2006	Garfield Eberle
ANGLES	± .12°	09/17/2006	Allen J. Bredt
SURFACE FINISH	± .03		ENGINEER
MATERIAL:			
HEAT TREAT:			
FINISH:			
NATIONAL OIL WELL VARCO S/N: 2208-4713 THRU 4717		S. HIMMELSTEIN & Co.	
		OUTLINE	
		RTM 2208MS	
SCALE 1:1		SHEET 1 OF 1	
REV		REV	
D 224-8246 A			