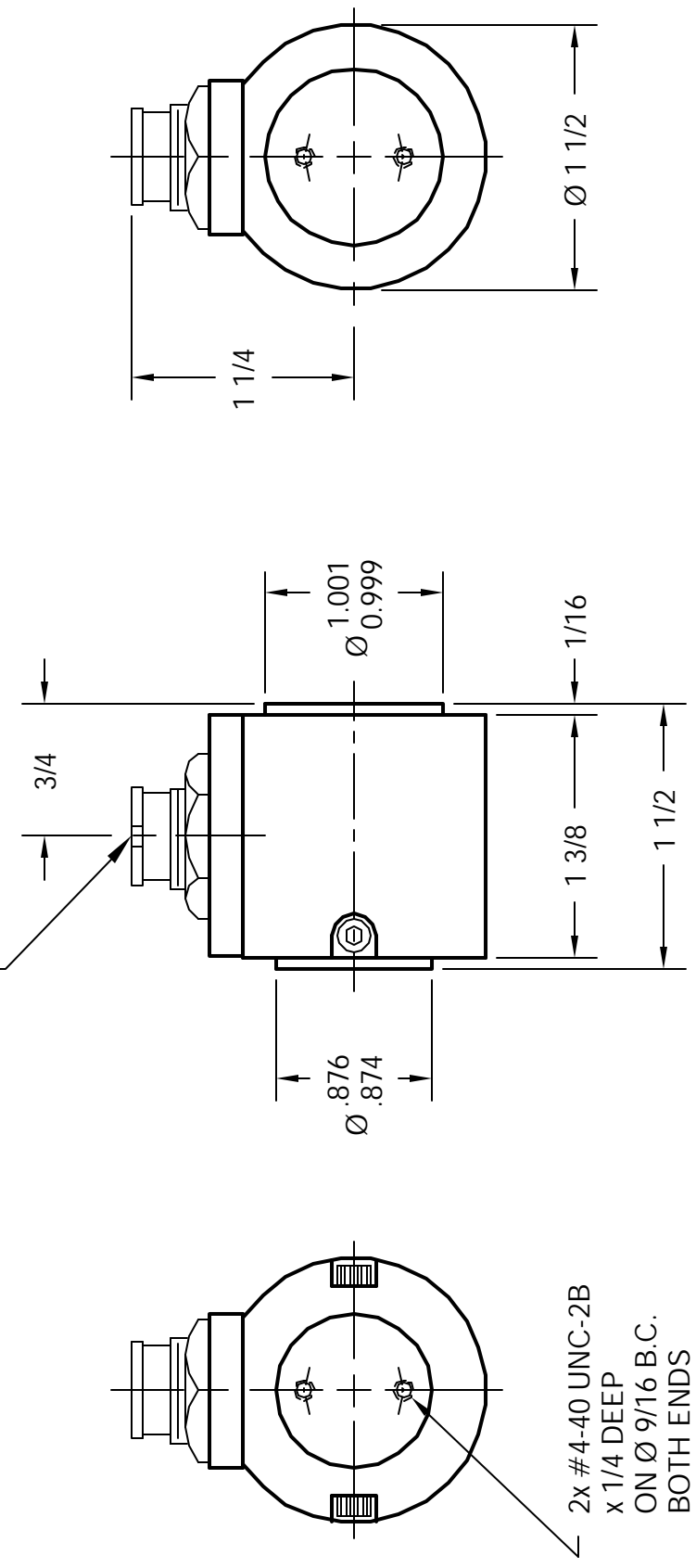


TOLERANCES ON FRACTIONS: DECIMALS: ANGLES:	DEBURR & BREAK SHARP EDGES UNLESS OTHERWISE SPECIFIED DIMENSIONS ARE IN INCHES	MATERIAL:	SIZE	REV.
			A	224-8103
SURFACE FINISH 7		FINISH:	S. HIMMELSTEIN & Co.	
DRAWN Gerald Babicz			OUTLINE	
CHECKED Allen J. Jacks		DATE 05/17/2005	2200M RTM	
ENGINEER		DATE 05/18/2005		
		SCALE: 1:1	SHEET 1	OF 1

SIGNAL CONNECTOR
(CONXALL: 7282-6PG-300)
MATING CONNECTOR SUPPLIED
(CONXALL: 6282-6SG-516)



2X #4-40 UNC-2B
X 1/4 DEEP
ON $\varnothing 9/16$ B.C.
BOTH ENDS

SYM	DESCRIPTION	DATE	APP'D
REVISIONS			