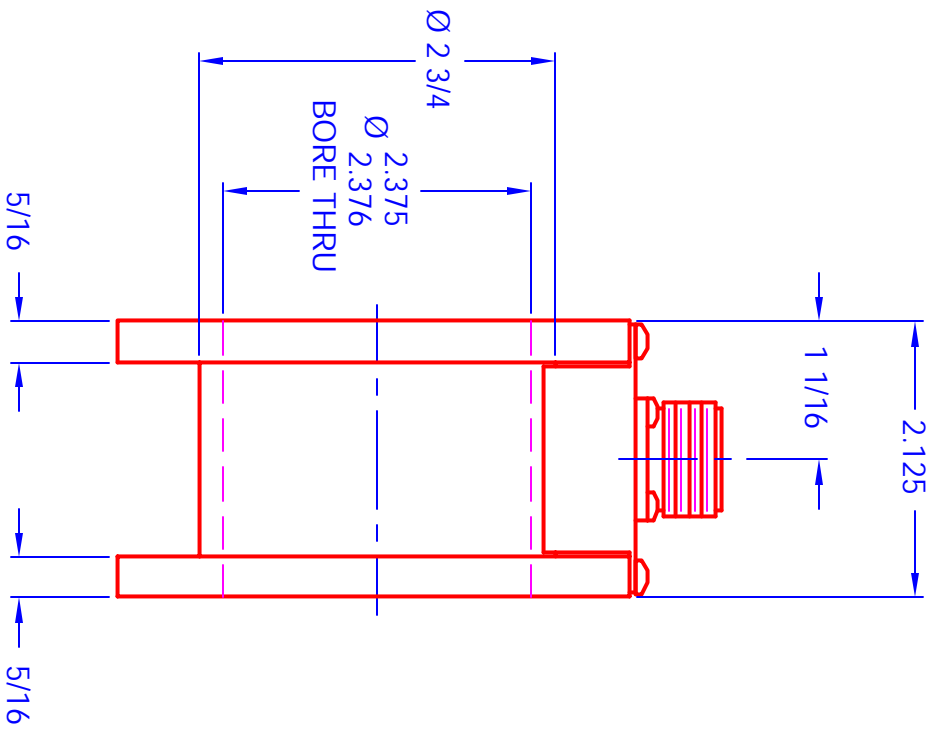
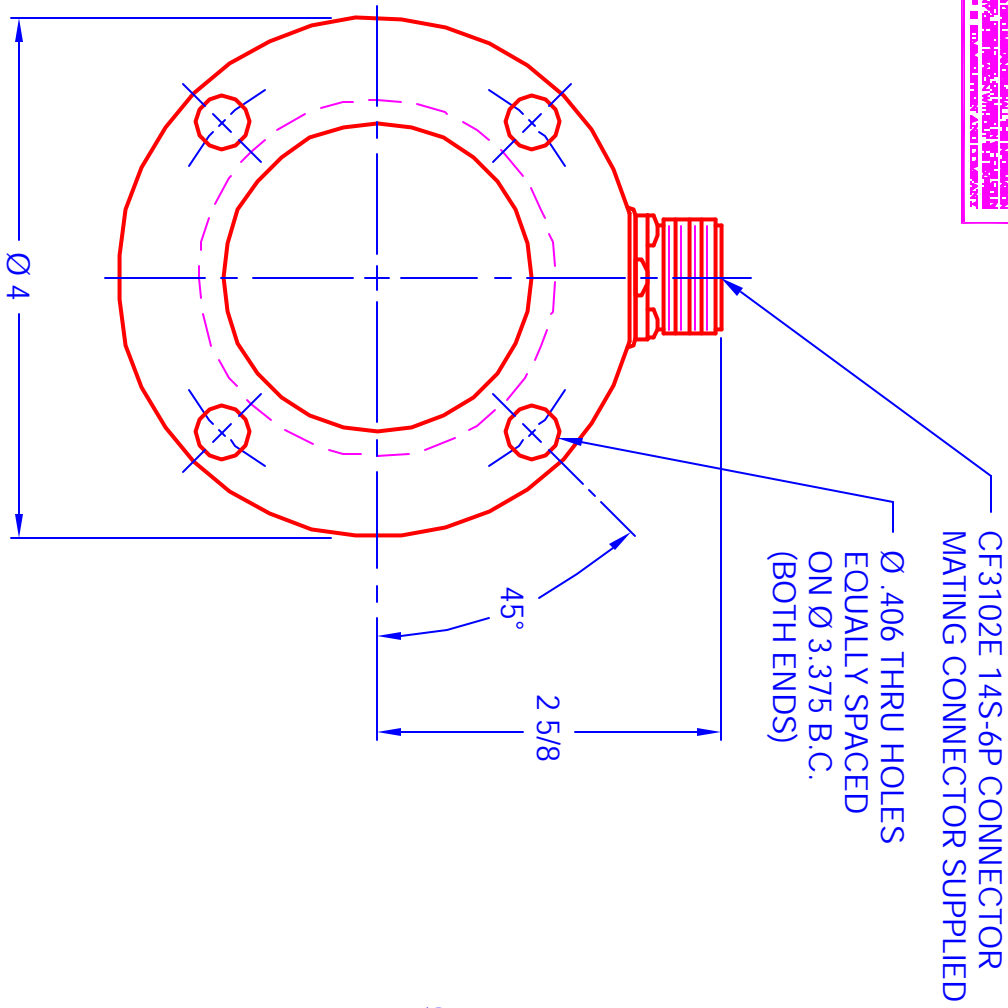


THIS DRAWING IS THE PROPERTY OF S. HIMMELSTEIN & CO. ANY REPRODUCTION OR USE OF THIS DRAWING WITHOUT THE WRITTEN CONSENT OF S. HIMMELSTEIN & CO. IS PROHIBITED.



A	REDRAWN ON COMPUTER, NO ECON	11/06/02	STR/BS
STM	DESCRIPTION	DATE	APP
REVISIONS			

**OUTLINE**  
**RTM 2050**

DRAWN R.B.R.	DATE 04/03/1992
CHECKED R. Reich	DATE 04/27/1992

**S. HIMMELSTEIN & Co.**

SCALE 1:1	SIZE B	REV S-3930	REV A
--------------	-----------	---------------	----------