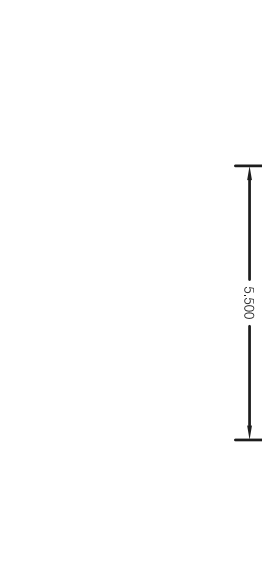
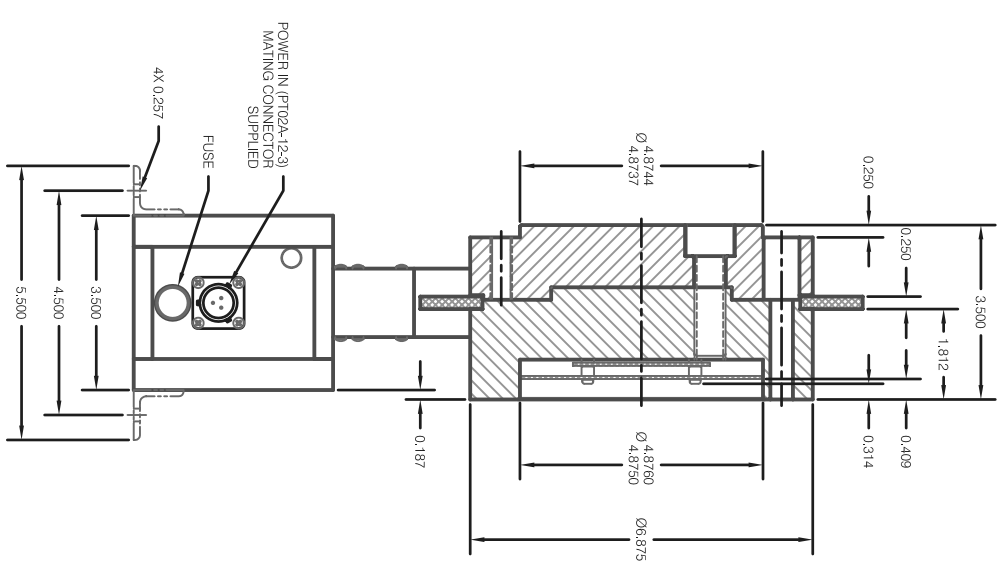
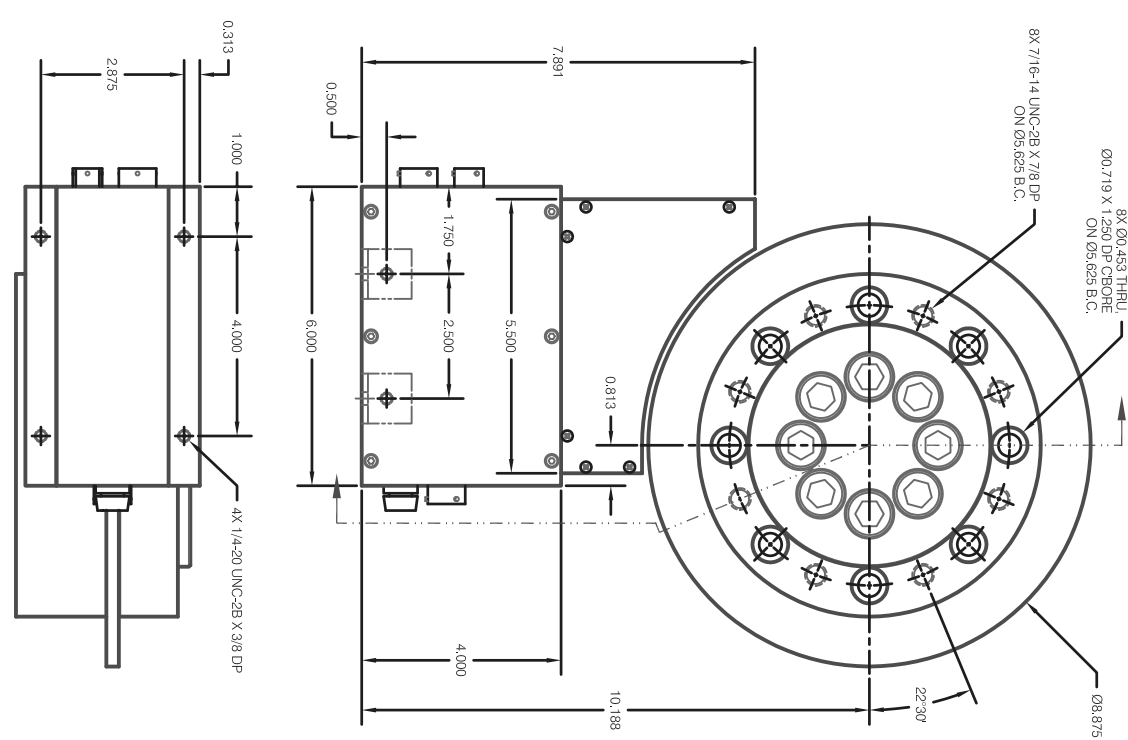
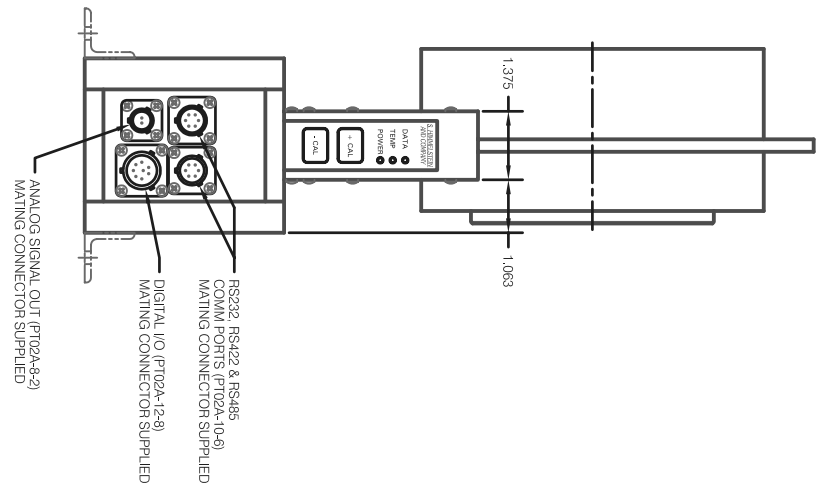


INFORMATION CONTAINED HEREIN IS CONSIDERED PROPRIETARY TO S. HIMMELSTEIN & CO. AND IS NOT TO BE REPRODUCED OR TRANSMITTED IN ANY FORM OR BY ANY MEANS, ELECTRONIC OR MECHANICAL, INCLUDING PHOTOCOPYING, RECORDING, OR BY ANY INFORMATION STORAGE AND RETRIEVAL SYSTEM. THE EQUIPMENT OR COMPONENTS THEREON OR ANY PART THEREOF IS NOT TO BE REPRODUCED OR TRANSMITTED IN ANY FORM OR BY ANY MEANS, ELECTRONIC OR MECHANICAL, INCLUDING PHOTOCOPYING, RECORDING, OR BY ANY INFORMATION STORAGE AND RETRIEVAL SYSTEM. THIS DRAWING IS THE PROPERTY OF S. HIMMELSTEIN & CO. AND IS NOT TO BE REPRODUCED OR TRANSMITTED IN ANY FORM OR BY ANY MEANS, ELECTRONIC OR MECHANICAL, INCLUDING PHOTOCOPYING, RECORDING, OR BY ANY INFORMATION STORAGE AND RETRIEVAL SYSTEM. THIS DRAWING IS THE PROPERTY OF S. HIMMELSTEIN & CO. AND IS NOT TO BE REPRODUCED OR TRANSMITTED IN ANY FORM OR BY ANY MEANS, ELECTRONIC OR MECHANICAL, INCLUDING PHOTOCOPYING, RECORDING, OR BY ANY INFORMATION STORAGE AND RETRIEVAL SYSTEM.



SYMBOL		DATE		SYMBOL		DATE		SYMBOL		DATE	
DESCRIPTION		DATE		DESCRIPTION		DATE		DESCRIPTION		DATE	
REVISIONS		DATE		REVISIONS		DATE		REVISIONS		DATE	
<p>DEBURR & BREAK SHARP EDGES TOLERANCES ON UNLESS OTHERWISE SPECIFIED FRACTIONS: ±1/64 DECIMALS: ±0.005 ANGLES: ±1/2° SURFACE FINISH 63 J ACAD REF SCALE 1:1</p>											
<p>MATERIAL: S. HIMMELSTEIN & Co. FINISH: OUTLINE DRAWN: MCRT CHECKED: 86/87004V ENGINEER: DATE 06/30/08</p>											
<p>SCALE 1:2 SHEET 1 OF 1 REV</p>											