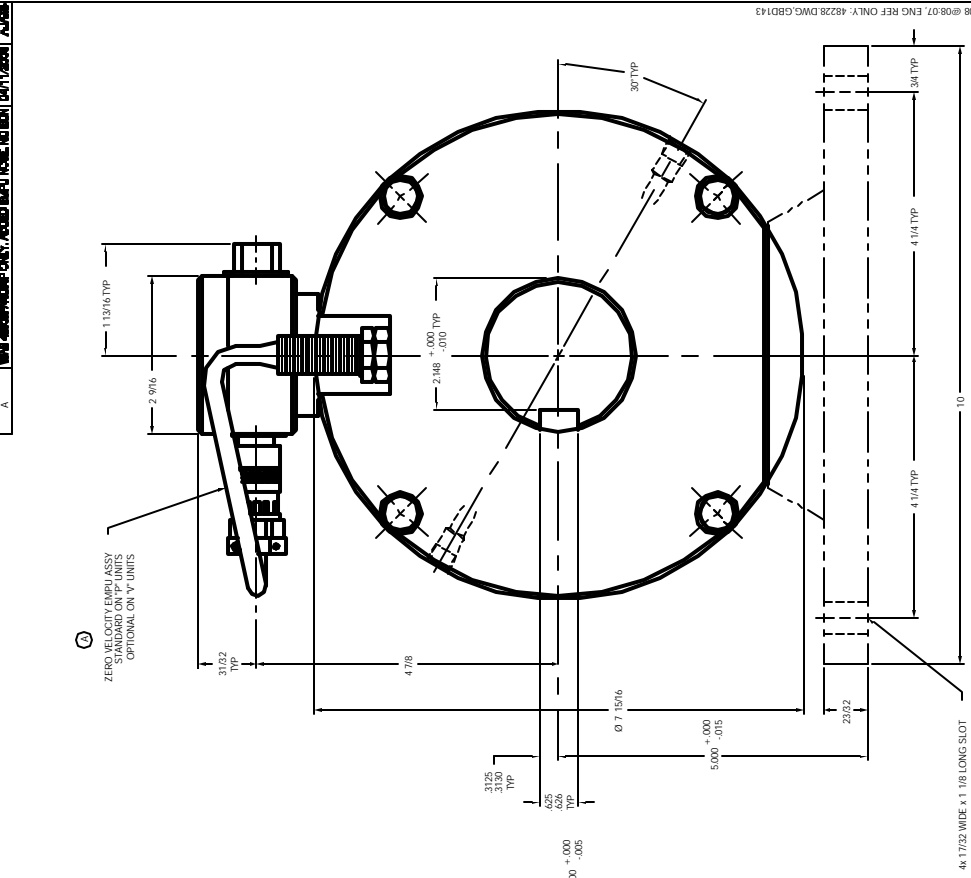


**REV**    **DATE**    **BY**    **APP**  
 1    05/01/2008    [Signature]    [Signature]  
 2    05/01/2008    [Signature]    [Signature]



**S. Himmelfelstein & Co**  
 OUTLINE  
 48006P, 49006P,  
 48706V, 49706V, 59006V  
 D 224-8228 A  
 SCALE 1:1    SHEET 1 OF 1    REV

DESIGNED BY	GERALD BABBEZ
CHECKED BY	ALLAN J. JIKES
DATE	05/01/2008
PROJECT	48006P, 49006P, 48706V, 49706V, 59006V
DRAWING NO.	224-8228 A
SHEET	1 OF 1
REV	

