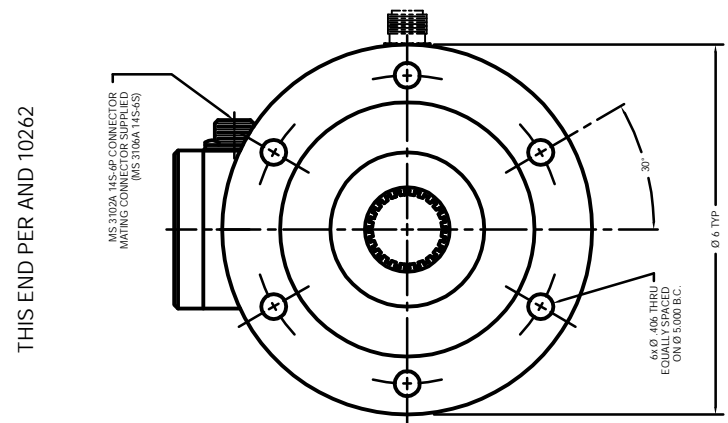


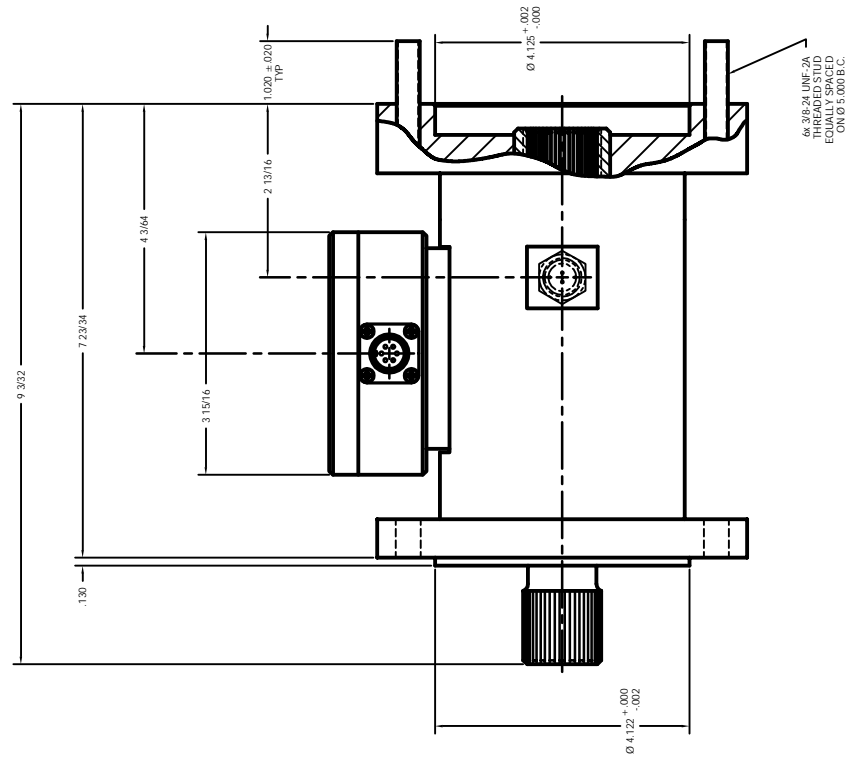
INFORMATION CONTAINED HEREIN IS CONSIDERED PROPRIETARY TO S. HIMMELSTEIN & CO. AND IS TO BE USED ONLY FOR THE ORIGINAL ASSEMBLY OPERATION. IT IS NOT TO BE REPRODUCED, COPIED, OR TRANSMITTED IN ANY FORM OR BY ANY MEANS, ELECTRONIC OR MECHANICAL, INCLUDING PHOTOCOPYING, RECORDING, OR BY ANY INFORMATION STORAGE AND RETRIEVAL SYSTEM, WITHOUT THE WRITTEN CONSENT OF S. HIMMELSTEIN & CO.

REVISIONS	DATE	APPR
SYM	DESCRIPTION	

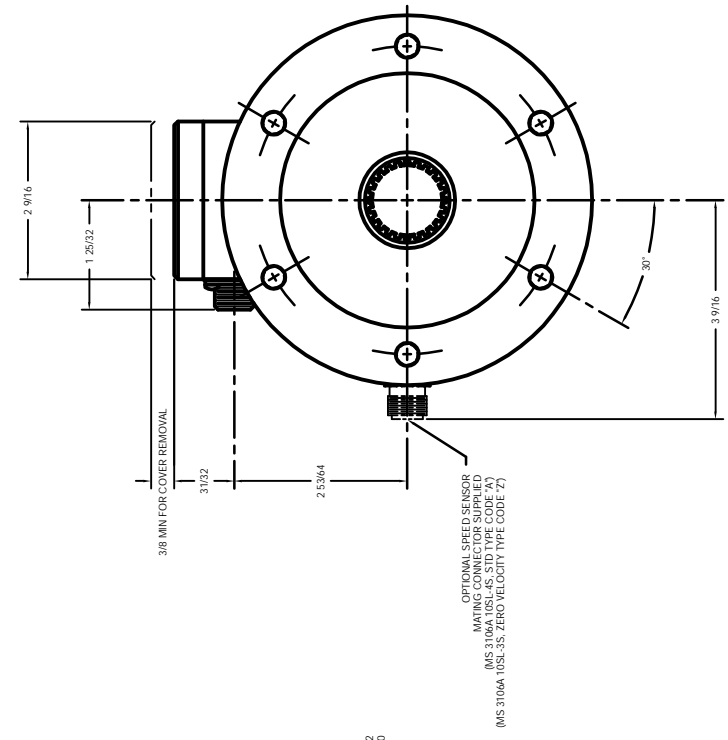
THIS END PER AND 10262



THIS END PER AND 10262



THIS END PER AND 20002



**EXTERNAL & INTERNAL SPLINE DATA**  
20/30 DIAMETRAL PITCH  
24 TEETH  
30° PRESSURE ANGLE

<b>DEBUR &amp; BRAK SHAMP EDGES</b>		<b>DESIGN STATE</b>	
DESIGNATION	DECIMALS	DATE	BY
...	...	10/20/2004	THOMAS
FUNCTION	ANGLES	DATE	BY
...	...	10/20/2004	Garfield Eberly
SURFACE FINISH	...	DATE	BY
...	...	...	Allen J. Bels
MATERIAL	...	ENGINEER	...
HEAT TREAT	...	...	...
FINISH	...	...	...

**S. HIMMELSTEIN & Co.**  
**OUTLINE**  
**48551V**

SCALE: 1:1

SHEET 1 OF 1

REV