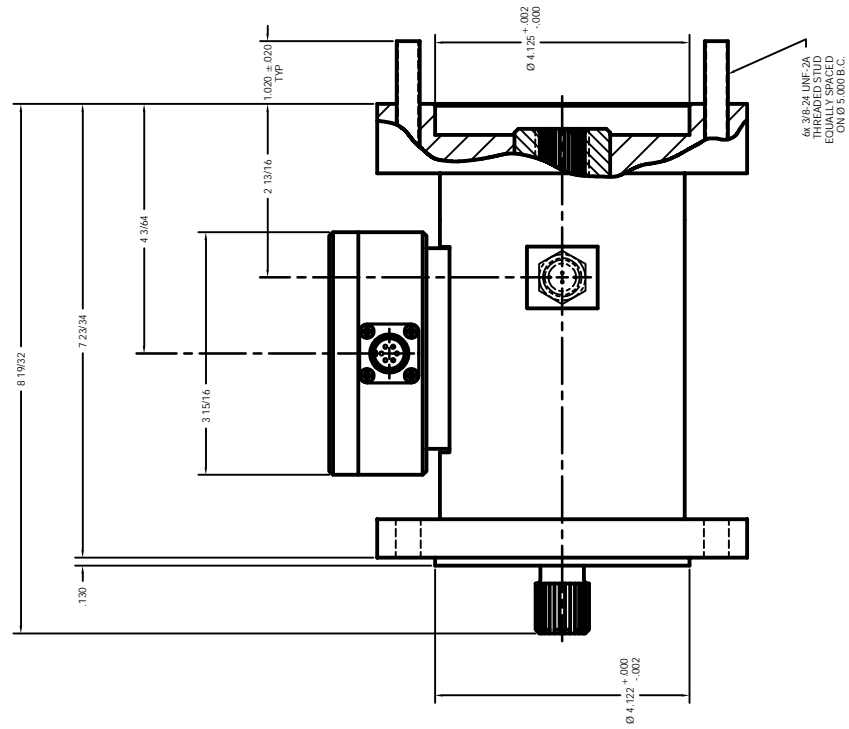
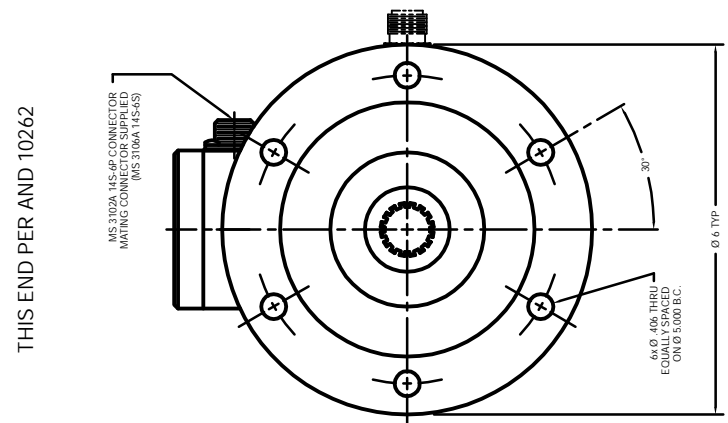


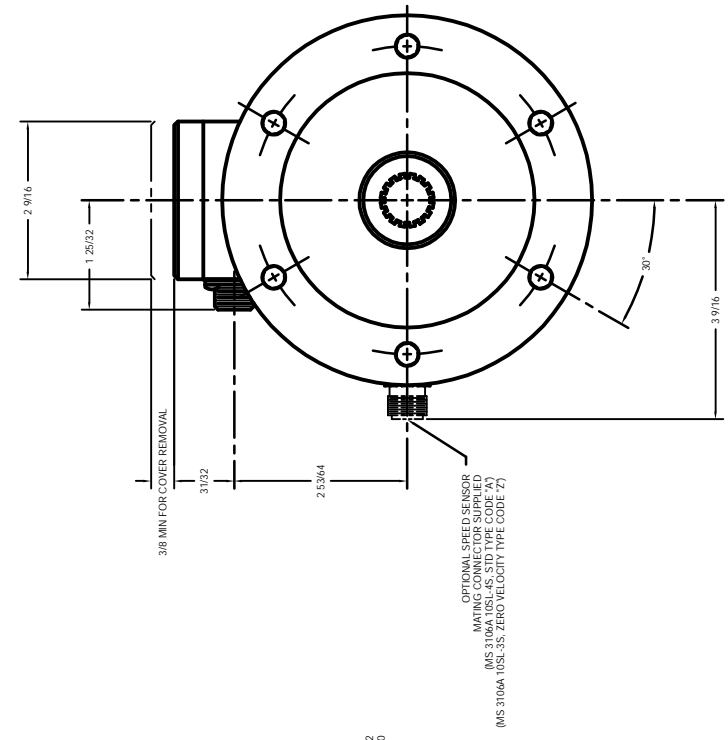
INFORMATION CONTAINED HEREIN IS CONSIDERED PROPRIETARY TO S. HIMMELSTEIN & CO. AND IS TO BE USED ONLY FOR THE ORIGINAL ASSEMBLY OPERATION. ANY REUSE, REPRODUCTION, OR TRANSMISSION OF THIS INFORMATION WITHOUT THE WRITTEN CONSENT OF S. HIMMELSTEIN & CO. IS STRICTLY PROHIBITED.

SYMBOL	REVISIONS	DESCRIPTION	DATE	APPROVED

THIS END PER AND 10262



THIS END PER AND 20002



EXTERNAL & INTERNAL SPLINE DATA
20/30 DIAMETRAL PITCH
16 TEETH
30° PRESSURE ANGLE

DEBUR & BRAK SHARP EDGES		CURRENT DATE	
REMOVE ALL BURRS AND SHARP EDGES		OF DRAWING	
TOLERANCES	DIMENSIONS	DATE	10/20/2004
...	...	DATE	10/20/2004
SURFACE FINISH	...	DATE	...
MATERIAL	...	DATE	...
HEAT TREAT	...	DATE	...
FINISH	...	DATE	...

S. HIMMELSTEIN & Co.
OUTLINE
48550V

SCALE 1:1

SHEET 1 OF 1

REV 224-7685