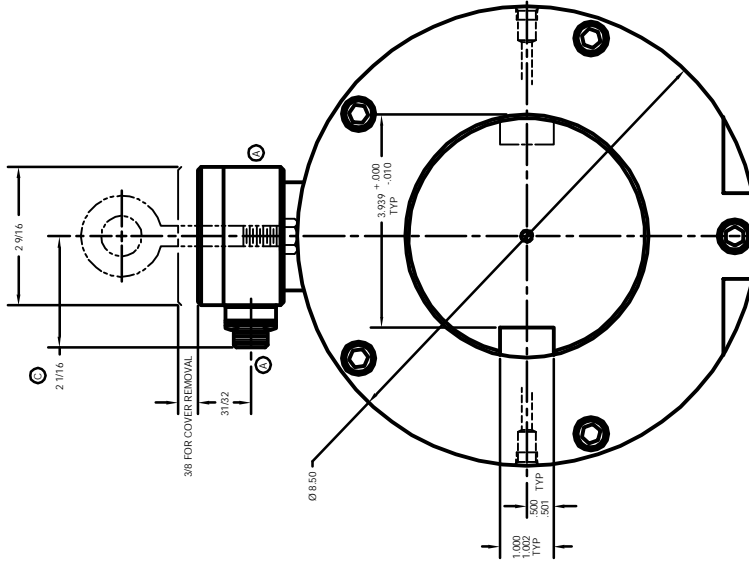
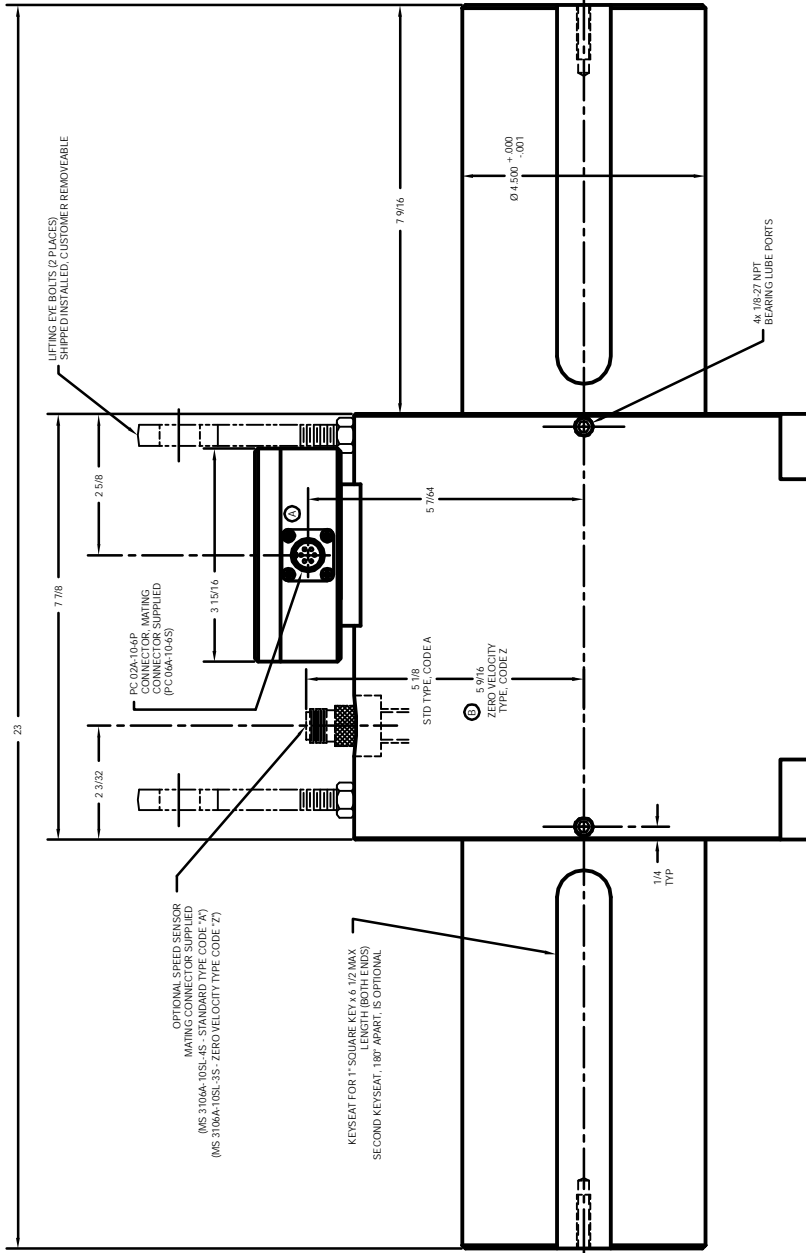


THIS DRAWING IS THE PROPERTY OF S. HIMMELSTEIN & COMPANY. IT IS RELEASED ONLY FOR THE USE OF THE CUSTOMER FOR WHOM IT IS DRAWN. IT IS NOT TO BE REPRODUCED, COPIED, OR TRANSMITTED IN ANY FORM OR BY ANY MEANS, ELECTRONIC OR MECHANICAL, WITHOUT THE WRITTEN CONSENT OF S. HIMMELSTEIN & COMPANY.

REVISIONS			
SYM	DESCRIPTION	DATE	APPR
A	CHANGED ORACLE CONNECTOR SIDE, NO ECN	06/02/02	PCJB
B	ADDED ZERO VELOCITY HEIGHT DIM, NO ECN	06/02/02	AJBS
C	2 1/16 WAS 1 25/32, NO ECN	02/22/07	AJBS



PLOTTED: 10/25/2007 @ 11:21 ENG REF ONLY: 47420 DWG.GBD76

DESCRIPTION & BREAK SHARP EDGES		OPERATIONAL	
OF DRAWING		DRAWING	
DESIGNED BY	DATE	DRAWN BY	DATE
PCJB	06/02/02	PCJB	06/02/02
CHECKED BY	DATE	CHECKED BY	DATE
Grand Bahar	06/02/02	Grand Bahar	06/02/02
APPROVED BY	DATE	APPROVED BY	DATE
REVISIONS		REVISIONS	
NO.	DESCRIPTION	NO.	DESCRIPTION
1	AS PER SCALE 1:1	1	AS PER SCALE 1:1
2	DO NOT SCALE DIM	2	DO NOT SCALE DIM
SCALE: 7:8		SCALE: 7:8	
PART NUMBER: 224-7420		PART NUMBER: 224-7420	
REV: C		REV: C	
SHEET: 1 OF 1		SHEET: 1 OF 1	

S. HIMMELSTEIN & Co.
OUTLINE
 48008V/49008V/59008V