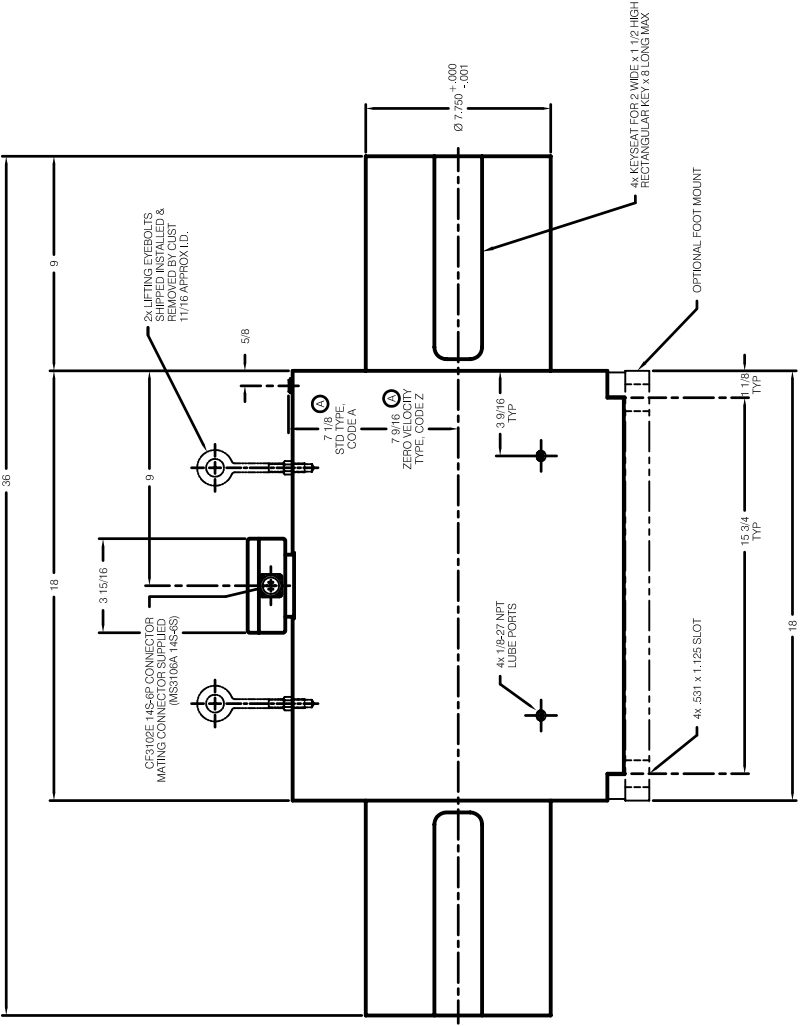
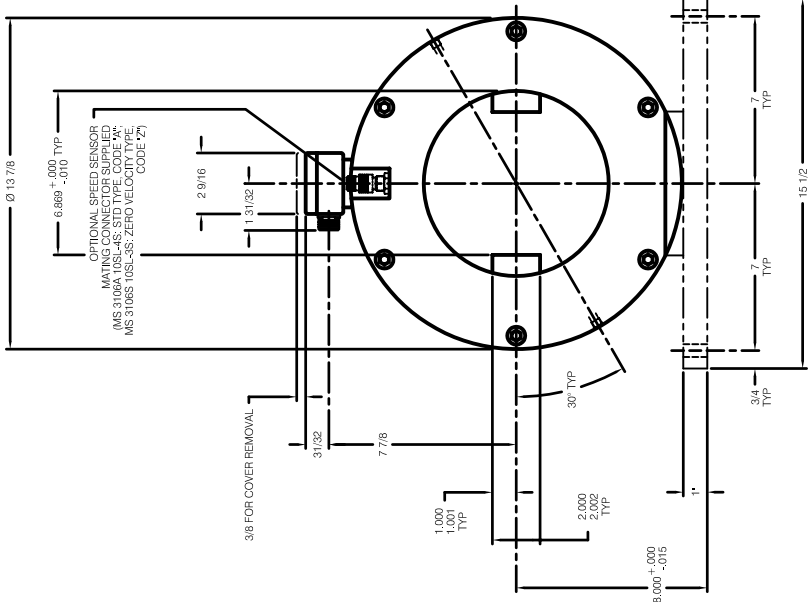


INFORMATION CONTAINED HEREIN IS UNCLASSIFIED EXCEPT WHERE SHOWN OTHERWISE BY S. HIMMELSTEIN AND COMPANY. IT IS RELEASED ONLY FOR OFFICIAL USE AND NOT TO BE DISTRIBUTED OUTSIDE THE OFFICIAL USE OF THE EQUIPMENT OR COMPONENTS THEREOF. THIS INFORMATION IS NOT TO BE REPRODUCED, STORED, TRANSMITTED, OR USED IN ANY MANNER OR BY ANY MEANS, ELECTRONIC OR MECHANICAL, INCLUDING PHOTOCOPYING, RECORDING, OR BY ANY INFORMATION STORAGE AND RETRIEVAL SYSTEM, WITHOUT THE WRITTEN CONSENT OF S. HIMMELSTEIN AND COMPANY.

REVISIONS			
SYM	DESCRIPTION	DATE	APPR
A	STD HEIGHT HAS 14S-4S; ZERO VELOCITY HEIGHT (CODE Z)	02/23/2008	JAB/G



PLOTTED: 06/26/2006 @ 07:34. ENG REF ONLY: 47557.DWG. GBD127

DEBURR & BREAK SHARP EDGES		ORIGINAL DATE OF DRAWING	
DRAWN	DATE	DRAWN	DATE
Thomas Bradley	02/23/08	Thomas Bradley	02/23/08
Checked: William H. Hawks	02/23/08	Checked: William H. Hawks	02/23/08
DESIGNER	DATE	DESIGNER	DATE
--- J ---	---	--- J ---	---
DIMENSIONS ARE IN INCHES		REF ACAD SCALE: 3/8	
DIMENSIONS ARE IN INCHES		DO NOT SCALE DWG	
DECIMALS	...	DECIMALS	...
ANGLES	...	ANGLES	...
SURFACE FINISH		FINISH	
MATERIAL: ---		MATERIAL: ---	
HEAT TREAT: ---		HEAT TREAT: ---	

S. HIMMELSTEIN & Co.
OUTLINE
29009T
SIZE D 224-7557 A
SCALE 3/8
SHEET 1 OF 1
REV