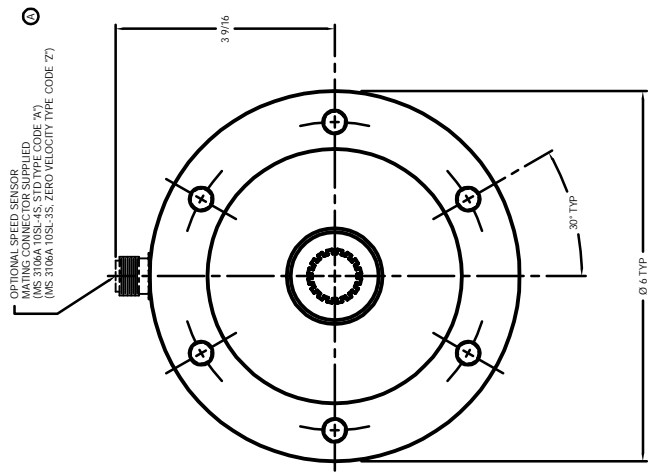


INFORMATION CONTAINED HEREIN IS CONSIDERED PROPRIETARY TO S. HIMMELSTEIN & CO. AND IS TO BE USED ONLY FOR THE SPECIFIC APPLICATION AND PURPOSE FOR WHICH IT WAS DESIGNED. IT IS NOT TO BE REPRODUCED, COPIED, OR TRANSMITTED IN ANY FORM OR BY ANY MEANS, ELECTRONIC OR MECHANICAL, INCLUDING PHOTOCOPYING, RECORDING, OR BY ANY INFORMATION STORAGE AND RETRIEVAL SYSTEM, WITHOUT THE EXPRESS WRITTEN CONSENT OF S. HIMMELSTEIN & CO. (S.H.C.)

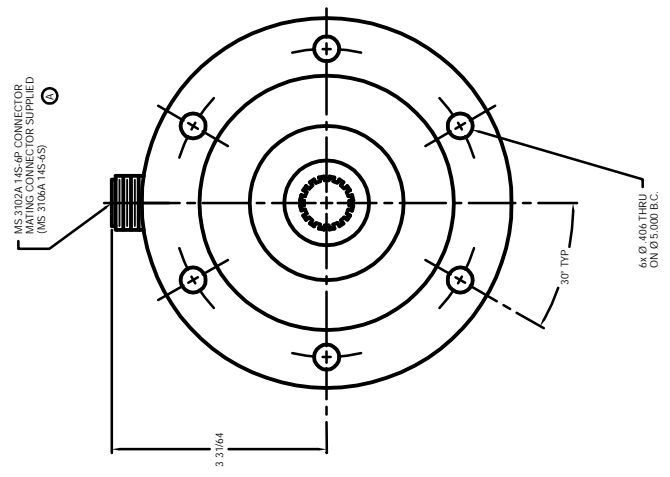
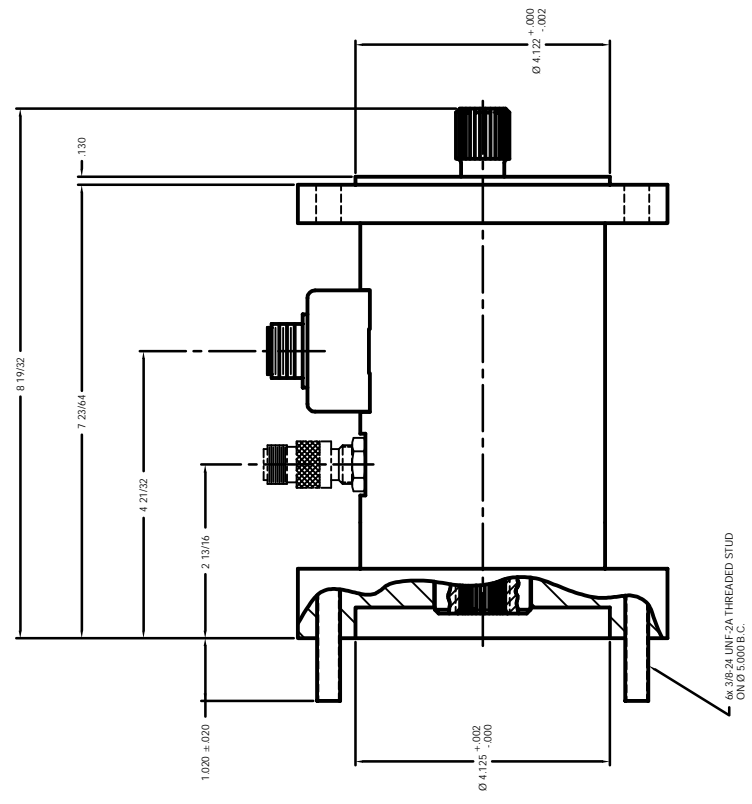
SYM	DESCRIPTION	DATE	APPR
A	ADDED MATING CONNECTOR TYPES, NO ECN	04/30/1997	GB

REVISIONS	DATE	APPR
	04/30/1997	GB

THIS END PER AND 20002



THIS END PER AND 10262



PLOTTED: 08/20/2003 @ 09:23, ENG REF ONLY: 46606.DWG.GBD21

DEBUR & BREAK SHARP EDGES		CURRENT DATE OF DRAWING	
TOLERANCES	DIMENSIONS	DATE	BY
FRACTIONS	DECIMALS	08/27/98	Garfield Ebel
ANGLES	AS 1/2°	DATE	BY
SURFACE FINISH	32 J	DATE	BY
MATERIAL	...		
HEAT TREAT	...		
FINISH	...		

S. HIMMELSTEIN & Co.	
OUTLINE	
2550T	
TORQUEMETER	
REV	D 224-6606 A
SCALE	1:1
SHEET	1 OF 1
REV	