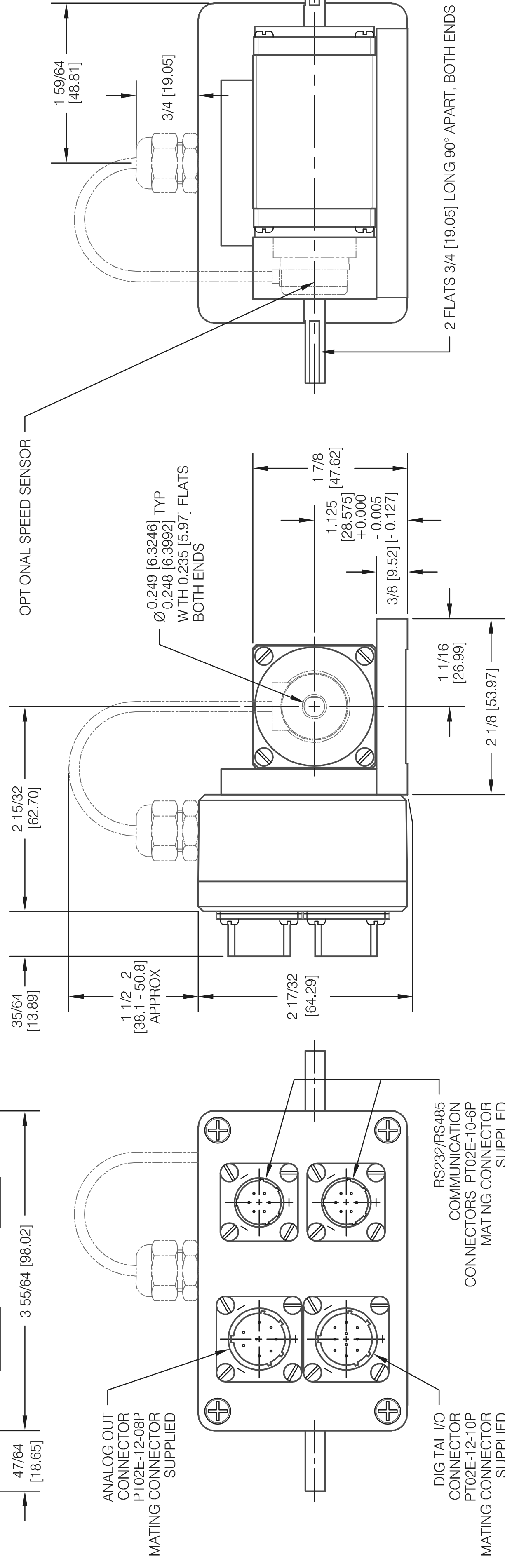
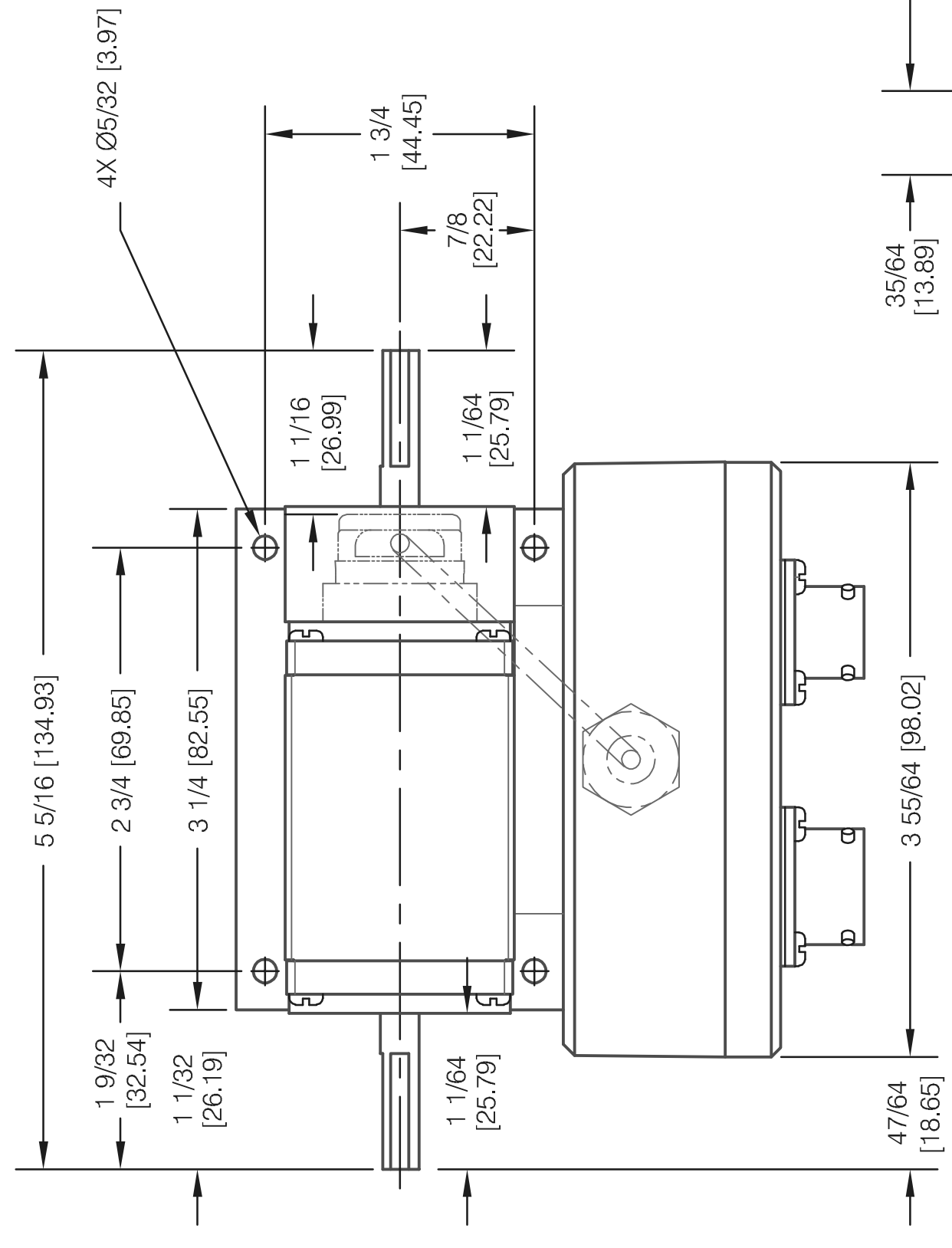
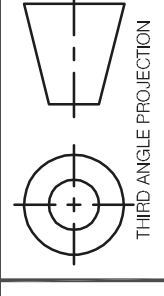


INFORMATION CONTAINED HEREIN IS CONSIDERED PROPRIETARY TO S. HIMMELSTEIN AND COMPANY. IT IS RELEASED ONLY FOR USE IN CONNECTION WITH THE FABRICATION, ASSEMBLY, OPERATION, OR MAINTENANCE OF THE EQUIPMENT OR COMPONENTS THEREOF DESCRIBED HEREIN. UNDER NO CIRCUMSTANCES SHALL THIS INFORMATION BE TRANSMITTED, REPRODUCED, OR USED IN WHOLE OR IN PART BY ANY PERSON FOR ANY OTHER REASON WITHOUT THE EXPRESS WRITTEN CONSENT OF S. HIMMELSTEIN AND COMPANY.



REF PINOUT DWG S-10329 SHEET 2

<p><b>S. HIMMELSTEIN &amp; Co.</b></p> <p>OUTLINE 48600V</p>		<p>MATERIAL:</p>		<p>DATE 04/30/2020</p>	
<p>FINISH:</p>		<p>DRAWN <i>Allen J. Jacobs</i></p>		<p>DATE</p>	
<p>TOLERANCES ON FRACTIONS: ±1/64 DECIMALS: ±0.005 ANGLES: ±1/2°</p>		<p>DEBURR &amp; BREAK SHARP EDGES UNLESS OTHERWISE SPECIFIED DIMENSIONS ARE IN INCHES</p>		<p>DATE</p>	
<p>SURFACE FINISH 63 J</p>		<p>CHECKED</p>		<p>DATE</p>	
<p>ENGINEER</p>		<p>SCALE FULL</p>		<p>SHEET 1 OF 1</p>	
<p>REV</p>		<p>SIZE C</p>		<p>224-9063</p>	
<p>DESCRIPTION</p>		<p>DATE</p>		<p>APP</p>	
<p>REVISIONS</p>		<p>DESCRIPTION</p>		<p>DATE</p>	
<p>REVISIONS</p>		<p>APP</p>		<p>DATE</p>	

PLOTTED: 05/04/2020 @04:31, ENG REF ONLY: 49063.DWG